

**CUCINA+TUTTAPIASTRA+FORNO GAS E900 3MM  
GAS COOKER+SOLID TOP+OVEN E900 3MM**

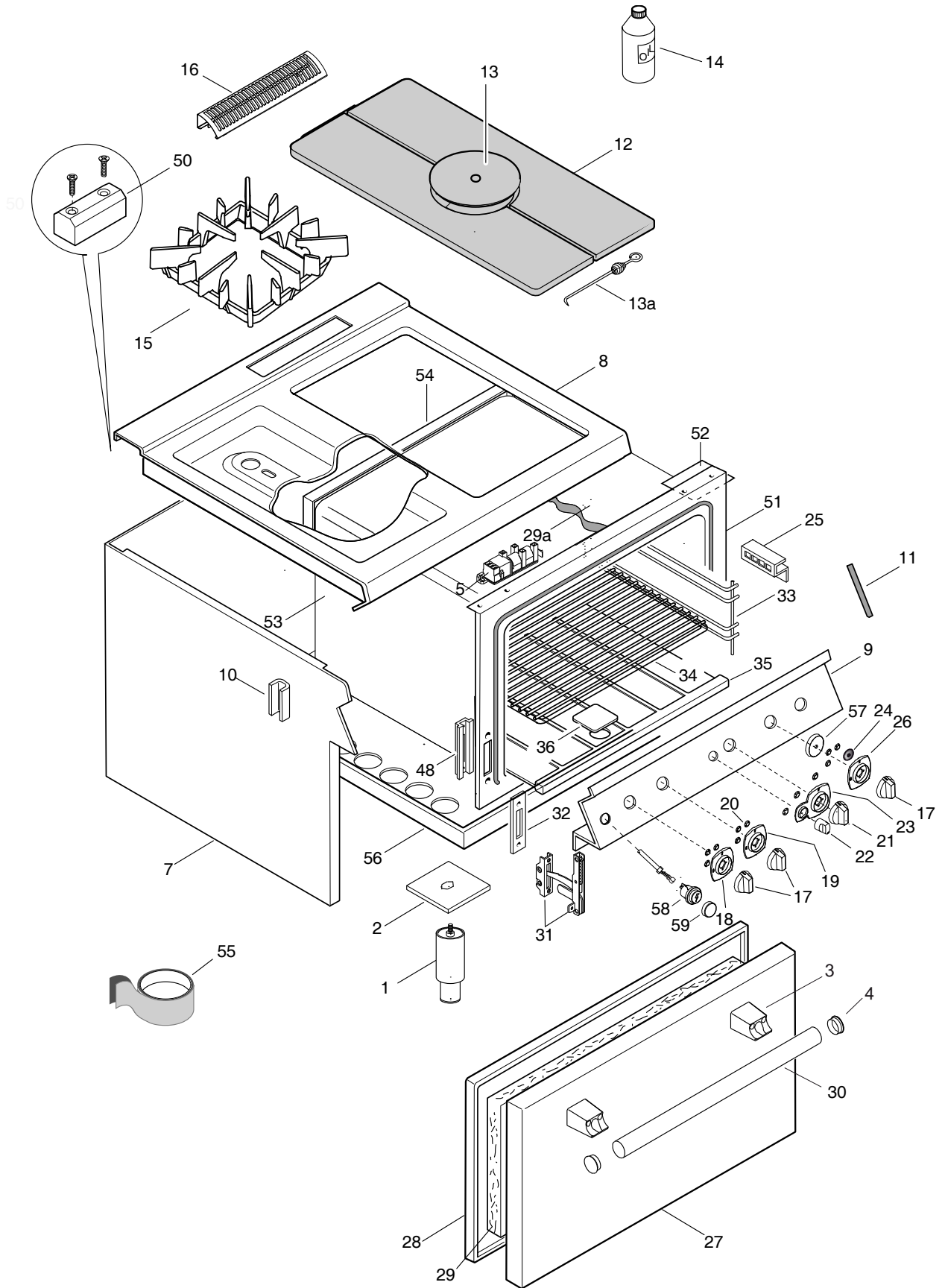
PNC	Model	Ref	Brand	Notes
391257	E9STGHT0G0	a	ELX	2 BURNERS(6+10KW)+GAS OVEN 800MM
391258	E9STGLT010	b	ELX	2 BURNERS(6+10KW)+GAS OVEN+CUPBOARD 1200MM

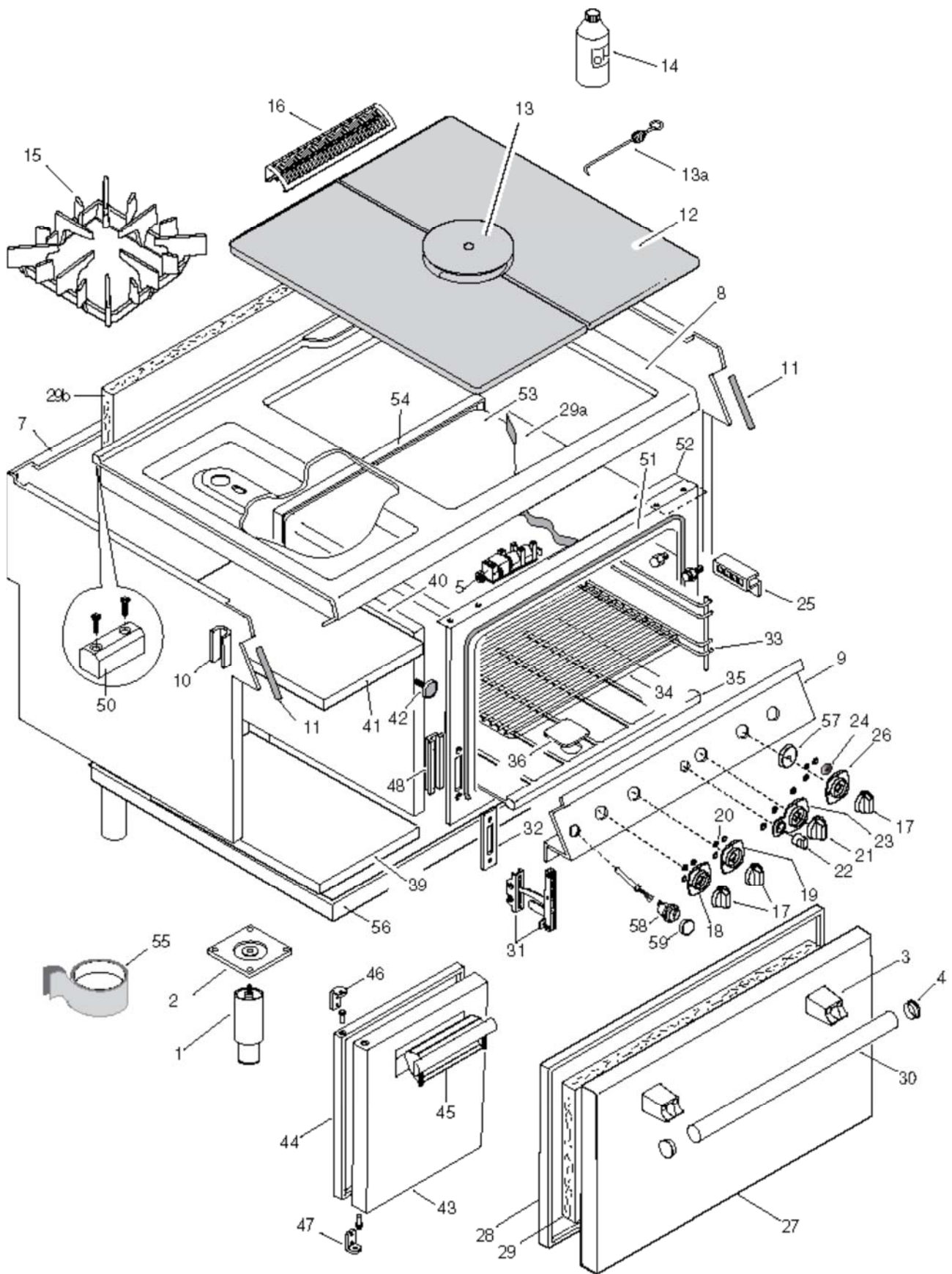
Pag	Index	Indice	Note
2,3	Gas Top	Componenti Top	
4	Gas components	Componenti Gas	
5-7	Gas nozzles	Ugelli gas	
8-10	Spare parts list	Lista ricambi	

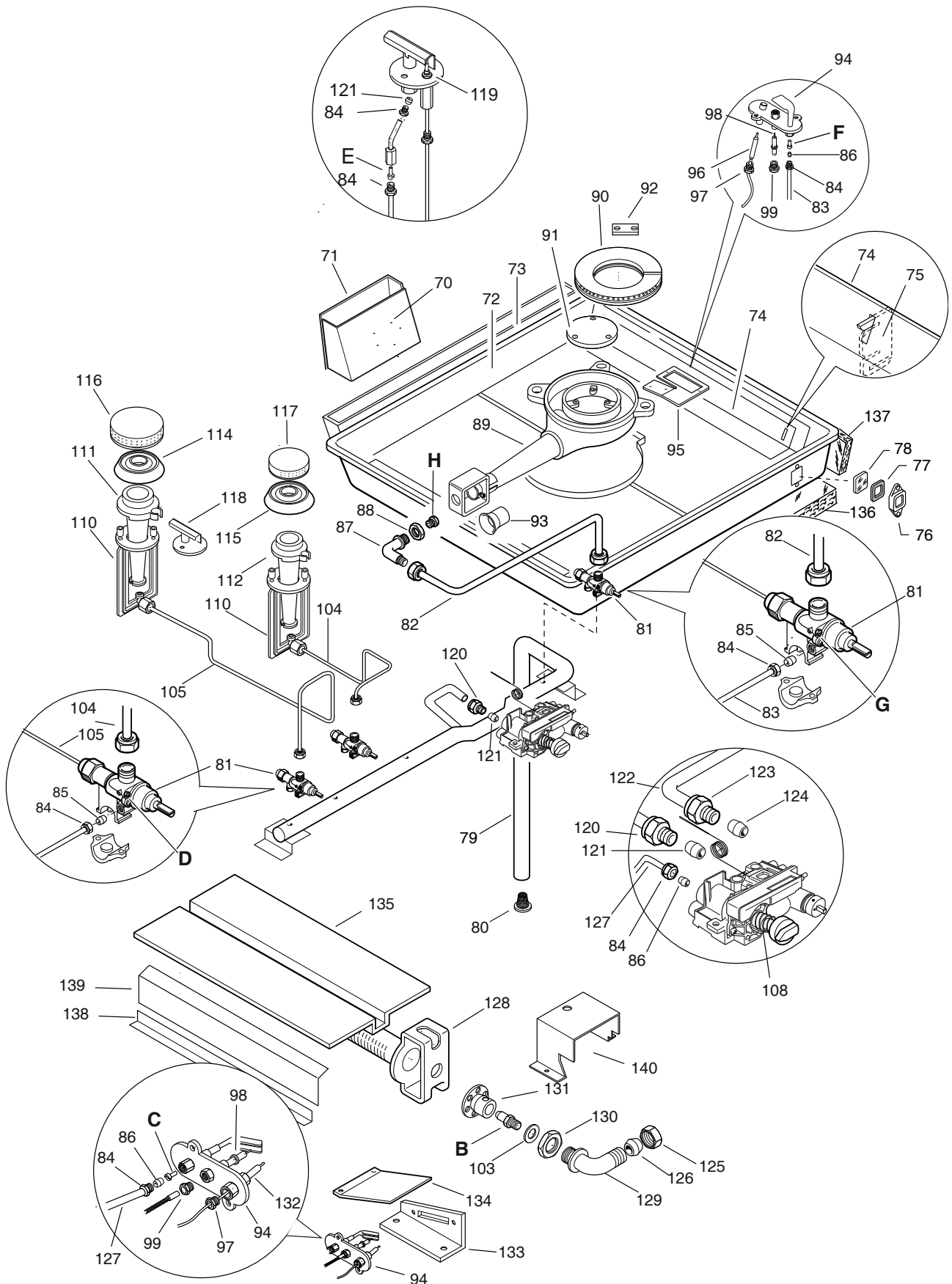
Brand/Marchio: All  
Factory code: 9PDD

Da Ser. Nr. / From Ser. Numb. : 4XXXX ED. 07-2018  
PAG 1

**Doc. 59785SN00**







<b>A - Ugello bruciatore / Burner nozzle ø60</b>			
<b>Spare part code</b>	<b>Ref. / Notes</b>		
0A2101	ø1.25	3+3B/P	G30 30mbar
0A2650	ø1.20	3B/P	G30 37mbar
0C0147	ø1.10	3B/P	G30 50mbar
0C0141	ø1.95	2H/2E+	G20 20mbar
A05176400	Ø1.85	2H	G20 25mbar
0C0142	ø2.05	2L	G25 25mbar
51689AP00	ø1.90	2K	G25.3 25mbar
0C0143	ø2.20	2ELL	G25 20mbar
0C7942	Ø1.85/2.25	2S	G25.1 25mbar
0C3657	ø3.60	1a	G110 8mbar
0C3658	ø3.30	1b	G120 8mbar

<b>A - Ugello bruciatore / Burner nozzle ø100</b>			
<b>Spare part code</b>	<b>Ref. / Notes</b>		
0A2089	ø1.60	3+3B/P	G30 30mbar
059384	ø1.50	3B/P	G30 37mbar
0C0148	ø1.45	3B/P	G30 50mbar
0C0144	ø2.60	2H/2E+	G20 20mbar
0C4154	Ø2.15/2.60	2H	G20 25mbar
0C0145	ø2.65	2L	G25 25mbar
51689AQ00	ø2.55	2K	G25.3 25mbar
0C0146	ø2.75	2ELL	G25 20mbar
0C4153	Ø2.45/3.30	2S	G25.1 25mbar
0C3655	ø5.00	1a	G110 8mbar
0C3656	Ø4.40	1b	G120 8mbar

<b>D - Vite di minimo / Min screw ø60</b>			
<b>Spare part code</b>	<b>Ref./ Notes</b>		
002911	Ø 0.55	3+3B/P	G30 30mbar
002911	Ø 0.55	3B/P	G30 37mbar
002925	Ø 0.50	3B/P	G30 50mbar
002899	Ø 0.80	2H/2E+	G20 20mbar
002899	Ø 0.80	2H	G20 25mbar
002899	Ø 0.80	2L	G25 25mbar
002899	Ø 0.80	2K	G25.3 25mbar
002899	Ø 0.80	2ELL	G25 20mbar
002899	Ø 0.80	2S	G25.1 25mbar
-	adjust	1a	G110 8mbar
-	adjust	1b	G120 8mbar

<b>D - Vite di minimo / Min screw ø100</b>			
<b>Spare part code</b>	<b>Ref./ Notes</b>		
002769	Ø 0.75	3+3B/P	G30 30mbar
002908	Ø 0.70	3B/P	G30 37mbar
002991	Ø 0.65	3B/P	G30 50mbar
002902	Ø 1.05	2H/2E+	G20 20mbar
002902	Ø 1.05	2H	G20 25mbar
002902	Ø 1.05	2L	G25 25mbar
002902	Ø 1.05	2K	G25.3 25mbar
002902	Ø 1.05	2ELL	G25 20mbar
002902	Ø 1.05	2S	G25.1 25mbar
-	adjust	1a	G110 8mbar
-	adjust	1b	G120 8mbar

<b>E - Pilota fuochi / Pilot nozzle open burner</b>			
<b>Spare part code</b>	<b>Ref./ Notes</b>		
054593	n°25	3+3B/P	G30 30mbar
054593	n°25	3B/P	G30 37mbar
054593	n°25	3B/P	G30 50mbar
053670	n°41	2H/2E+	G20 20mbar
053670	n°41	2H	G20 25mbar
053670	n°41	2L	G25 25mbar
053670	n°41	2K	G25.3 25mbar
053670	n°41	2ELL	G25 20mbar
053670	n°41	2S	G25.1 25mbar
053669	n°75	1a	G110 8mbar
053669	n°75	1b	G120 8mbar

<b>G - Vite di minimo T.P. / Min screw SolidTop 1MODULO - 1 MODULE</b>			
<b>Spare part code</b>	<b>Ref. / Notes</b>		
0C0800	ø1.10	3+3B/P	G30 30mbar
004595	Ø1.00	3B/P	G30 37mbar
002926	Ø0.90	3B/P	G30 50mbar
006193	ø1.60	2H/2E+	G20 20mbar
0C4152	Ø1.50	2H	G20 25mbar
006193	Ø1.60	2L	G25 25mbar
006193	ø1.60	2K	G25.3 25mbar
006193	Ø1.60	2ELL	G25 20mbar
006193	Ø1.60	2S	G25.1 25mbar
-	adjust	no CE	G110 8mbar

<b>G - Vite di minimo T.P. / Min screw SolidTop 1/2MODULO - 1/2 MODULE</b>			
<b>Spare part code</b>	<b>Ref. / Notes</b>		
002770	Ø0.85	3+3B/P	G30 30mbar
002899	Ø0.80	3B/P	G30 37mbar
002908	Ø0.70	3B/P	G30 50mbar
002928	Ø1.30	2H/2E+	G20 20mbar
0C1326	Ø1.20	2H	G20 25mbar
002928	Ø1.30	2L	G25 25mbar
002928	Ø1.30	2K	G25.3 25mbar
002928	Ø1.30	2ELL	G25 20mbar
0C1326	Ø1.20	2S	G25.1 25mbar
-	adjust	No CE	G110 8mbar

<b>F - Pilota TuttaPiastra / Pilot nozzle SolidTop</b>			
<b>Spare part code</b>	<b>Ref. / Notes</b>		
059216	n°14	3+3B/P	G30 30mbar
059216	n°14	3B/P	G30 37mbar
059216	n°14	3B/P	G30 50mbar
059215	n°27	2H/2E+	G20 20mbar
059215	n°27	2H	G20 25mbar
059215	n°27	2L	G25 25mbar
059215	n°27	2K	G25.3 25mbar
059215	n°27	2ELL	G25 20mbar
059215	n°27	2S	G25.1 25mbar
059381	n°75	no CE	G110 8mbar

<b>H - Ugello TuttaPiastra / Burner nozzle SolidTop 1/2MODULO - 1/2 MODULE</b>			
<b>Spare part code</b>	<b>Ref. / Notes</b>		
0A2650	Ø1.20	3+3B/P	G30 30mbar
059314	Ø1.15	3B/P	G30 37mbar
059328	Ø1.05	3B/P	G30 50mbar
059315	Ø1.75	2H/2E+	G20 20mbar
0A2141	Ø1.65	2H	G20 25mbar
056793	Ø1.80	2L	G25 25mbar
059315	Ø1.75	2K	G25.3 25mbar
058375	Ø1.90	2ELL	G25 20mbar
*	Ø1.85	2S	G25.1 25mbar
-	-	no CE	G110 8mbar

<b>H - Ugello TuttaPiastra / Burner nozzle SolidTop 1MODULO - 1 MODULE</b>			
<b>Spare part code</b>	<b>Ref. / Notes</b>		
0A2089	Ø1.60	3+3B/P	G30 30mbar
0A2103	Ø1.55	3B/P	G30 37mbar
0A2082	Ø1.40	3B/P	G30 50mbar
058980	Ø2.45	2H/2E+	G20 20mbar
0A2081	Ø2.30	2H	G20 25mbar
059529	Ø2.55	2L	G25 25mbar
058980	Ø2.45	2K	G25.3 25mbar
056795	Ø2.70	2ELL	G25 20mbar
0A2174	Ø2.65	2S	G25.1 25mbar
058628	ø5.50	no CE	G110 8mbar

Da Ser. Nr. / From Ser. Numb. : 4XXXX ED. 01-2018

PAG 6

**Doc. 59785SN00**

<b>C - Ugello pilota FORNO / Pilot nozzle OVEN</b>			
<b>Spare part code</b>	<b>Ref. / Notes</b>		
059216	n°14	3+3B/P	G30 30mbar
059216	n°14	3B/P	G30 37mbar
059216	n°14	3B/P	G30 50mbar
059215	n°27	2H/2E+	G20 20mbar
059215	n°27	2H/2E+	G20 25mbar
059215	n°27	2L	G25 25mbar
059215	n°27	2K	G25.3 25mbar
059215	n°27	2ELL	G25 20mbar
059215	n°27	2S	G25.1 25mbar
059356	n°50	1a	G110 8mbar
059356	n°50	1b	G120 8mbar

<b>A - Ugello bruciatore forno / Burner nozzle OVEN</b>			
<b>Spare part code</b>	<b>Ref. / Notes</b>		
002862	ø1.50	3+3B/P	G30 30mbar
004488	ø1.40	3B/P	G30 37mbar
059364	ø1.30	3B/P	G30 50mbar
056471	ø2.25	2H/2E+	G20 20mbar
056147	ø2.10	2H/2E+	G20 25mbar
004727	ø2.35	2L	G25 25mbar
056471	ø2.25	2K	G25.3 25mbar
002267	ø2.45	2ELL	G25 20mbar
004727	Ø2.35	2S	G25.1 25mbar
059365	ø5.50	1a	G110 8mbar
0C0136	ø4.90	1b	G120 8mbar

**CUCINA+TUTTAPIASTRA+FORNO GAS VENTILATO E900 3MM  
GAS COOKER+SOLID TOP+VENTILATED OVEN E900 3MM**

Pos	Factory Code	Spare Code	Descrizione	Description	Ref./Note
1	835856900	0C0204	PIEDE	FOOT	all
2	50589CD00	OTTG45	PIASTRA DI RINFORZO PER PIEDE	PLATE FOR FOOT	all
3	530R01702	0C6891	BLOCCETTO MANIGLIA	HANDLE SUPPORT	all
4	530R01802	0C6823	TAPPO CHIUSURA MANIGLIA	STOPPER FOR HANDLE	all
5	0639F00900	0CA185	ACCENDITORE	IGNITER	b up to 08/2005
5	0639813600	0CA184	ACCENDITORE	IGNITER	b from 09/2005 - a
7	85089DZ02	0C9010	FASCIA MONOBLOCCO 800	PANEL FREESTANDING 800	a
7	85089F001	0CB411	FASCIA MONOBLOCCO 1200	PANEL FREESTANDING 1200	b
8	87089QC00	*	RIPIANO 2 BRUC + FORNO 800	WORKTOP 2 BUR + OVEN 800	a
8	87089QD00	*	RIPIANO 2 BRUC + FORNO1200	WORKTOP 2 BUR + OVEN 1200	b
9	85089N100	*	CRUSCOTTO 2 BRUC + FORNO 800	CRUSCOTTO 2 BUR + OVEN 800	a
9	85089N000	*	CRUSCOTTO 2 BRUC + FORNO1200	CONTR. PANEL 2 BUR + OVEN 1200	b
10	527850500	0C0156	PIASTRA FISSAGGIO FIANCHI	SIDE PANEL JOINTING PLATE	all
11	543821900	0C2496	GUARNIZIONE CRUSCOTTO	GASKET, CONTROL PANEL	all
12	510822000	0C7126	SEMIPIASTRA GHISA	HALF PLATE CAST IRON	½ MODULE a
12	510821301	0C0787	SEMIPIASTRA GHISA	HALF PLATE CAST IRON	1 MODULE b
13	210026714	050803	DISCO RADIANTE	DISK, PLATE	a
13	210021601	026953	DISCO RADIANTE	DISK, PLATE	b
13a	330294200	001158	GANCIO SOLLEVADISCO	RINGS HOOK	all
14	<b>167600200</b>	*	<b>OLIO PROTETTIVO</b>	<b>PROTECTIVE OIL</b>	<b>all</b>
*	<b>80083CL00</b>	<b>0CB508</b>	<b>ASSIEME PIASTRA RADIANTE</b>	<b>PLATE CAST IRON ASSEMBLY</b>	<b>12+13+14 – ½ MODULE a</b>
*	<b>80083CK00</b>	<b>0CB507</b>	<b>ASSIEME PIASTRA RADIANTE</b>	<b>PLATE CAST IRON ASSEMBLY</b>	<b>12+13+14 – 1 MODULE b</b>
15	510821002	0C1985	GRIGLIA FUOCHI GHISA	CAST IRON GRID	all
16	50389LP00	0C7333	GRIGLIA CAMINO	GRID CHIMNEY	all
17	54887AV00	0C8645	MANOPOLA PER RUBINETTO GAS	KNOB, GAS COCK	all
18	548877900	0C8047	GHIERA FUOCO ANTERIORE	RING KNOB, FRONT BURNER	all
19	548877A00	0C7945	GHIERA FUOCO POSTERIORE	RING KNOB, REAR BURNER	all
20	218912211	069567	MOLLETTA PER GHIERA	RING, RING KNOB	all
21	54887AV00	0C8645	MANOPOLA PER TERMOST. VALVOLA	KNOB, GAS VALVE THERMOSTAT	all
22	548863303	0C2021	MANOPOLA ACCENDITORE VALV.	KNOB. GAS VALVE IGNITER	all
23	548877401	0C7342	GHIERA PER VALVOLA FORNO	KNOB RING. GAS VALVE OVEN	all
24	541813800	0C6171	RONDELLA SILICONE	SILICON WASHER	all
25	50489RV00	*	SUPPORTO BULBO	BULB SUPPORT	all
26	548876S01	0C6671	GHIERA FUOCO ANTERIORE CON MINIMO	RING KNOB, FRONT BURNER WITH MINIMUM	all
27	50389G502	0C8541	PORTA FORNO	DOOR, OVEN	all
28	50389G602	0C7273	CONTROPORTA	INNER DOOR OVEN	all
29	560839601	0C0197	ISOLAMENTO PORTA FORNO	INSULATION, OVEN DOOR	all
29a	560839400	0C0195	ISOLAMENTO FORNO	INSULATION, OVEN	all
29b	560839502	0C0196	ISOLAMENTO SCHIENA FORNO	INSULATION, BACK OVEN	all
30	51589A500	0C7274	MANIGLIA FORNO	HANDLE, OVEN DOOR	all
*	85589A302	0C7271	ASSIEME PORTA FORNO	COMPLETE DOOR	all
31	835848100	0C0203	CERNIERA PORTA FORNO	HINGE, OVEN DOOR	all
32	205075423	052725	COPRICERNIERA	HINGE COVER	all
33	51489AH00	0C7335	GUIDA PER GRIGLIA FORNO	GRATE LEADING	all
34	330260843	025020	GRIGLIA FORNO	GRID; OVEN	all
35	510818901	0C0123	SUOLA	SOLE	all
36	800833100	0C0198	COPERTURA FORO PILOTA	COVERING, PILOT	all
39	529852307	*	FONDO VANO	BOTTOM PANEL CUPBOARD	b
40	529852408	*	FIANCO DESTRO VANO	RIGHT SIDE PANEL CUPBOARD	b
41	529852509	*	CIELO VANO	TOP PANEL CUPBOARD	b
42	830898200	0C0201	MAGNETE PORTA	MAGNET, DOOR	b
43	50389G300	0C7157	PORTA SINISTRA	LEFT DOOR, CUPBOARD	b
44	50489CQ00	0C7158	CONTROPORTA	INNER DOOR	b
45	54887AH00	0C8769	MANIGLIA PORTA SINISTRA	HANDLE, LEFT DOOR	b

Da Ser. Nr. / From Ser. Numb. : 4XXXX ED. 07-2018

PAG 8

**Doc. 59785SN00**



**CUCINA+TUTTAPIASTRA+FORNO GAS VENTILATO E900 3MM  
GAS COOKER+SOLID TOP+VENTILATED OVEN E900 3MM**

<i>Pos</i>	<i>Factory Code</i>	<i>Spare Code</i>	<i>Descrizione</i>	<i>Description</i>	<i>Ref./Note</i>
*	85089AA04	0C7156	ASSIEME PORTA VANO	COMPLETE DOOR	b
46	516860901	0C0139	CERNIERA SUPERIORE DESTRA	TOP HINGE, RIGHT	b
47	516860801	0C0138	CERNIERA INFERIORE DESTRA	BOTTOM HINGE, RIGHT	b
48	529835404	0C5244	SUPPORTO CERNIERA FORNO	SUPPORT FOR HINGE, DOOR OVEN	all
50	516860702	0C0137	PIASTRA GIUNZIONE APPARECC.	JOINTING REAR PLATE	all
<b>51</b>	<b>870838210</b>	<b>0C0218</b>	<b>FACCIATA FORNO 800mm</b>	<b>FRONT OVEN 800mm</b>	<b>a</b>
51	870838309	0C0219	FACCIATA FORNO 1200mm	FRONT OVEN 1200mm	b
52	529850501	0C0182	PIASTRINA FACCIATA FIANCO	PLATE FRONT OVEN	all
53	529835512	*	INVOLUCRO FORNO	GAS OVEN SHELL	all
54	529835706	*	SCHIENALE FORNO GAS	REAR SIDE PANEL OVEN	all
55	147018072	006451	NASTRO ADESIVO ALLUMINIO	BAND	all
<b>56</b>	<b>5038A1Z02</b>	*	<b>FONDO MONOBLOCCO 800mm</b>	<b>BOTTOM PANEL FREEST. 800mm</b>	<b>a</b>
<b>56</b>	<b>5038A2004</b>	*	<b>FONDO MONOBLOCCO 1200mm</b>	<b>BOTTOM PANEL FREEST. 1200mm</b>	<b>b</b>
57	0543844U00	OCA180	GUARNIZIONE RUBINETTO	TAP GASKET (SPONGE DISC)	all
58	0640804L00	OCA186	PULSANTE ACCENSIONE	IGNITION BUTTON	all
59	0541813J00	OCA179	CAPPUCCIO PULSANTE	BUTTON CAP (COVER)	all
70	529836403	*	ANTERIORE CAMINO FORNO	FRONT CHIMNEY OVEN	all
71	529836503	*	POSTERIORE CAMINO FORNO	REAR CHIMNEY OVEN	all
72	533807500	*	CAMERA COMBUSTIONE	COMBUSTION CHAMBER	a
72	524892504	0C0788	CAMERA COMBUSTIONE	COMBUSTION CHAMBER	b
73	533807700	*	ANTERIORE CAMINO	FRONT PANEL CHIMNEY	a
73	524892601	0C0789	ANTERIORE CAMINO	FRONT PANEL CHIMNEY	b
74	524895802	0C0790	PANNELLO PROTEZIONE LATERALE	PROTECTION SIDE PANEL	b
75	524892901	*	DISTANZIALE PANN. PROT.LAT.	SPACER, PROTEC.SIDE PANEL	b
76	206260400	057382	CORNICE VETRINO SPIA	FRAME, INSPECTION GLASS	all
77	282217401	057402	GUARNIZIONE VETRINO SPIA	GASKET, INSPECTION GLASS	all
78	275290025	057400	VETRINO SPIA	INSPECTION GLASS	all
79	853883400	0C2977	RIBALTA 2 FUOCHI SU FORNO	MANIFOLD 2 BUR + OVEN 800	a
79	853864502	0C0794	RIBALTA SIMPLESERVICE	MANIFOLD SIMPLESERVICE	b
80	516863902	0C0140	FILTRO	FILTER	all
81	835857202	0C0205	RUBINETTO GAS	GAS TAP	all
82	835866102	0C5446	CONDUTTURA BRUCIATORE	GAS PIPE, BURNER	a
82	835861304	0C0795	CONDUTTURA BRUCIATORE	GAS PIPE, BURNER	b
83	517890201	0C2980	CONDUTTURA PILOTA	GAS PIPE, PILOT	a
83	517879002	0C0796	CONDUTTURA PILOTA	GAS PIPE, PILOT	b
84	214164400	052125	RACCORDO PILOTA	PIPE FITTING PILOT PIPE	all
85	215199700	052127	BICONO RUBINETTO	DOUBLE CONE, GAS TAP	all
86	517808700	059161	BICONO PILOTA	DOUBLE CONE, PILOT	all
87	511805401	059250	PORTAUGELLO	INJECTOR HOLDER	all
88	214105101	020997	CONTRODADO PORTAUGELLO	LOCK NUT, INJECTOR HOLDER	all
89	510822700	0C4719	BRUCIATORE	BURNER	a
89	830865104	059374	BRUCIATORE	BURNER	b
90	510822800	0C2993	SPARTIFIAMMA	FLAME SPREADER	a
90	210942401	052377	SPARTIFIAMMA	FLAME SPREADER	b
91	506841000	054536	DISCO PER BRUCIATORE	DISK, BURNER	a
91	206117200	052374	DISCO PER BRUCIATORE	DISK, BURNER	b
92	206410400	052500	TEGOLO	CONTACTOR	b
93	514829802	*	BOCCOLA	BUSH	a
93	215086000	051774	BOCCOLA	BUSH	b
94	830884101	0C7102	PILOTA	PILOT BURNER	all
95	538809000	*	SUPPORTO PILOTA	HOLDER PILOT	a
95	524893000	0C0797	SUPPORTO PILOTA	HOLDER PILOT	b
96	830853101	051119	TERMOCOPPIA	THERMOCOUPLE	a
96	831800500	0C0202	TERMOCOPPIA	THERMOCOUPLE	b
97	214162000	0C0121	RACCORDO TERMOCOPPIA	PIPE FITTING, THERMOCOUPLE	all
98	830863300	059380	ELETTRODO	ELECTRODE	all
99	214164101	057960	RACCORDO ELETTRODO	PIPE FITTING, ELECTRODE	all

**CUCINA+TUTTAPIASTRA+FORNO GAS VENTILATO E900 3MM  
GAS COOKER+SOLID TOP+VENTILATED OVEN E900 3MM**

<i>Pos</i>	<i>Factory Code</i>	<i>Spare Code</i>	<i>Descrizione</i>	<i>Description</i>	<i>Ref./Note</i>
103	506833401	054029	GUARNIZIONE UGELLO	GASKET, INJECTOR	all
104	835878000	OCA191	CONDUTTURA ANTERIORE FUOCHI	PIPE, FRONTAL OPEN BURNER	all
105	835878100	OCA192	CONDUTTURA POSTERIORE FUOCHI	PIPE, REAR OPEN BURNER	all
108	835859302	0C5247	VALVOLA GAS MERTIK	GAS VALVE MERTIK	all
110	510819004	0C0124	SUPPORTO VENTURI	SUPPORT, VENTURI	all
111	510820602	0C0133	VENTURI 10 KW	VENTURI, 10 KW	all
112	510819103	0C0125	VENTURI 6 KW	VENTURI, 6 KW	all
114	510819203	0C0126	CORPO BRUCIATORE 10 KW	BURNER 10 KW	all
115	510828J00	OCA176	CORPO BRUCIATORE 6KW	BURNER 6KW	all
116	510819401	0C0128	SPARTIFIAMMA; 10 KW	FLAME SPREADER 10 KW	all
117	510819501	0C0129	SPARTIFIAMMA 6kW	FLAME SPREADER 6kW	all
119	83089L300	OCA189	TERMOCOPPIA	THERMOCOUPLE	all
120	514862501	051950	RACCORDO VALVOLA - RIBALTA	PIPE FITTING, MAINFOLD - GAS VALVE	all
121	215170716	050682	OGIVA VALVOLA - RIBALTA	RING , MAINFOLD - GAS VALVE	all
122	835857602	0C0208	CONDUTTURA FORNO	PIPE, OVEN	all
123	516869500	0C0149	RACCORDO VALVOLA - COND.FORNO	PIPE FITTING, GAS VALVE - OVEN	all
124	516869600	0C0150	BICONO VALVOLA - COND.FORNO	DOUBLE CONE, GAS VALVE - OVEN	all
125	514829301	0A2125	DADO, CONDUTTURA FORNO	NUT, OVEN PIPE	all
126	215073101	060325	BICONO, CONDUTTURA FORNO	DOUBLE CONE, OVEN PIPE	all
127	544820801	0C0153	CONDUTTURA PILOTA	PIPE, PILOT	all
128	830860902	059221	BRUCIATORE FORNO	OVEN BURNER	all
129	511805401	059250	PORTAUGELLO	INJECTOR HOLDER	all
130	214105101	020997	CONTRODADO	LOCK NUT	all
131	830827102	054085	AREATORE	AREATOR	all
132	83089FH00	0C7716	TERMOCOPPIA	THERMOCOUPLE	all
133	529836201	0C0171	SQUADRETTA PILOTA	BRACKET, PILOT	all
134	529836300	0C0172	PROTEZIONE PILOTA	PROTECTION, PILOT	all
135	529836602	0C0175	PARAFIAMMA BRUCIATORE FORNO	FLAME SPREADER, OVEN	all
136	560842403	0C0798	ISOLAMENTO CENTRALE	CENTRAL INSULATION	b
137	560839400	0C0195	ISOLAMENTO LATERALE	SIDES INSULATION	all
138	529835902	0C0168	CONVOGLIATORE BRUCIATORE	PROTECTION, BURNER	all
139	529836000	0C0169	CHIUSURA PER CONVOGLIATORE	PROTECTION TIGHTENER	all
140	529836101	0C0170	CHIUSURA PER BRUCIATORE	OVEN BURNER TIGHTENER	all